

Monocrystalline Photovoltaic Module »



MEPV 108 HALF-CUT ICON

BLACK - STANDARD - BICOLOUR »
400/410/415/420 Wp



QUALITY »



M10 Wafer
Ultra-high power



Efficiency
415Wp - 420Wp



Long durability
80% at the 30th year



Fire resistance
Maximum protection



Avoid losses
Better shading tolerance



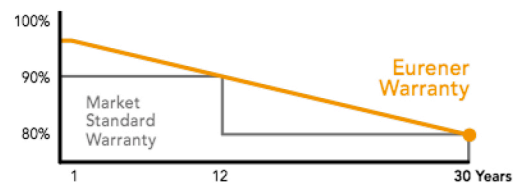
Load endurance
Front load / Back load



WARRANTIES »

20 YEARS PRODUCT WARRANTY
+5 years for Premium Partners

30 YEARS PERFORMANCE WARRANTY
Linear Warranty



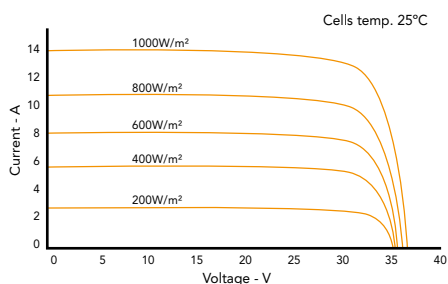
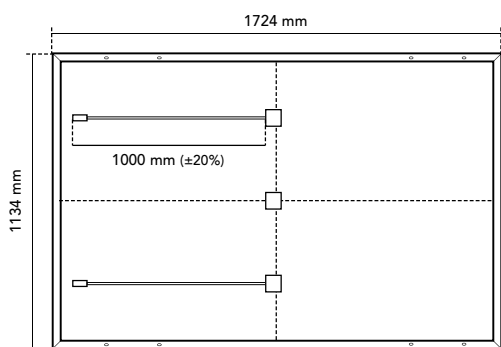
CERTIFICATES »



www.soulereps.com



Soulier Electricité sprl
Rue Ernest Montellier, 14
5380 Zoning de Fernelmont
Tel : 081 51 15 88
soulierelec@gmail.com



FRAME

Black / Silver anodized aluminium

Robust and resistant to corrosion

JUNCTION BOX

Sealed, robust and wide for heat dissipation

IP67/IP68 according to IEC 60529

Diodes by-pass built-in 3

Connector MC4 compatible

Cables 1000 mm (±20%) length and 4 mm² section

FRONTAL

3,2 mm thick tempered glass with high strength and ARC

Textured, extra-clear with low iron content

Frontal load (snow) 5400 Pa | Back load (wind) 2400 Pa

SOLAR CELLS

108 [2x (9x6)] cells monocrystalline silicon

WEIGHT AND DIMENSIONS

21,5 Kg | 1724 x 1134 x 30 mm (±1%) | Pack: 962/936 pcs-truck

ELECTRIC DATA »

BLACK - STANDARD - BICOLOUR	MEPV 400	MEPV 410	MEPV 415	MEPV 420 STANDARD ONLY
STC: 1000 W/m², module temperature 25°C, AM 1,5				
Nominal power. Pmax	400 Wp	410 Wp	415 Wp	420 Wp
Max. power tolerance. Pmax	0 / +5 W	0 / +5 W	0 / +5 W	0 / +5 W
Area of the module	1,96 m ²			
Module efficiency	20,46 %	20,97 %	21,23 %	21,48 %
Isc	13,79 A	13,95 A	14,02 A	14,10 A
Voc	37,07 V	37,32 V	37,45 V	37,57 V
Imp	12,90 A	13,04 A	13,13 A	13,21 A
Vmp	31,01 V	31,45 V	31,61 V	31,81 V
NOCT: 800 W/m², ambient temperature 20°C, AM 1,5				
Nominal power. Pmax	301,96 W	309,98 W	313,85 W	318,35 W
Isc	11,03 A	11,16 A	11,22 A	11,30 A
Voc	34,88 V	35,23 V	35,37 V	35,54 V
Imp	10,32 A	10,43 A	10,50 A	10,56 A
Vmp	29,26 V	29,72 V	29,89 V	30,15 V
Operating parameters. Temperature coefficients				
Maximum voltage	1000 - 1500 V			
Maximum series fuse rating. Ir	25 A			
α Isc	0,045 % / °C			
β Voc	- 0,275 % / °C			
γ Pmax	- 0,35 % / °C			
Temperature range	- 40°C ~ + 85 °C			
NOCT	45 ± 2 °C			

NOTE: Read the instruction manual of this product and follow the indications STC. Values are valid for: 1000W/m², AM 1,5 and cells temperature of 25°C. Measurement tolerance +/-3% (AAA Solar simulation -IEC 60.904-9-). All the information of this brochure may be amended without notice by Eurener. Eurener_MEPV 108_HALF-CUT ICON_400-420Wp_EN_JAN2023



www.eurenergroupp.com
 contact@eurenerworld.com
 +34 960 045 515
 Calle Colón, 1-23
 46004, Valencia. Spain

Manufacturing a better world

Since 1997 our main purpose has been to supply quality and long-lasting photovoltaic modules that allow us and future generations, to continue generating clean energy to take care of our planet.